



Innovative Electronics for a changing world

Manual



DNS-DC

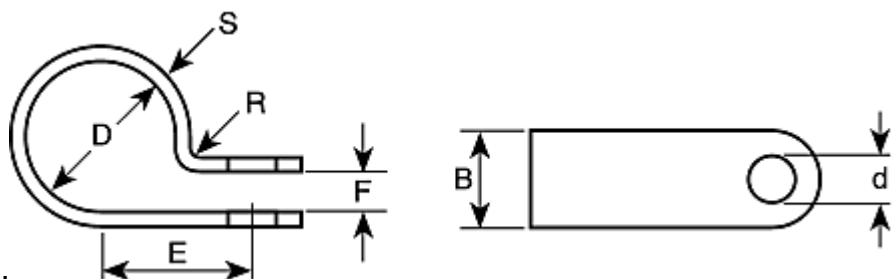
Day Night switch for DC tower lights – 10VDC to 30VDC power supply

Waterproof design, Green led indicating DC power connected, RED led for Load output on/off status.

Mosfet switch to control power to the load, no mechanical parts like relays.

Output short circuit protected via an 1.6 Amp self-resettable PTC fuse.

12 x Mi - AB80 LED lights can be controlled from one day/night switch.



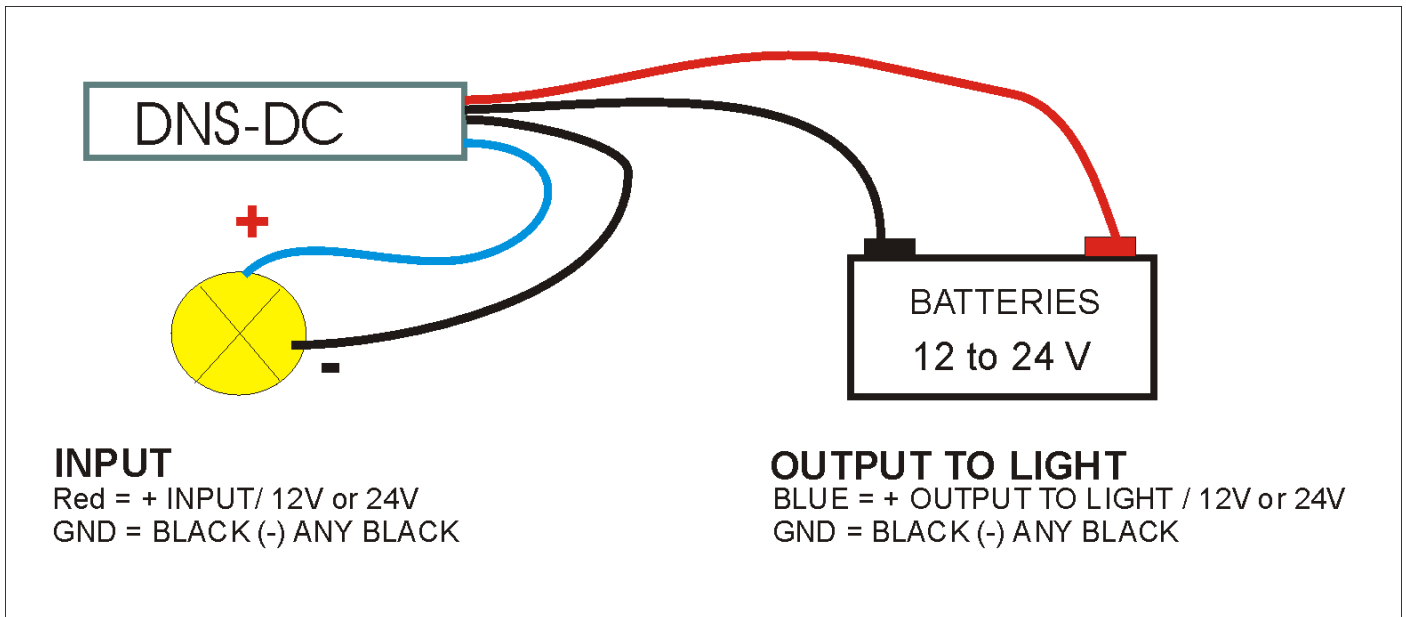
Supplied with mounting P clip.



DNS-DC



Mi – AB80 LED LIGHTS FOR TOWERS



Physical:

Length: 108mm

Diameter: 22mm

Standby current (Load output off – day time) = 10mili-amp